

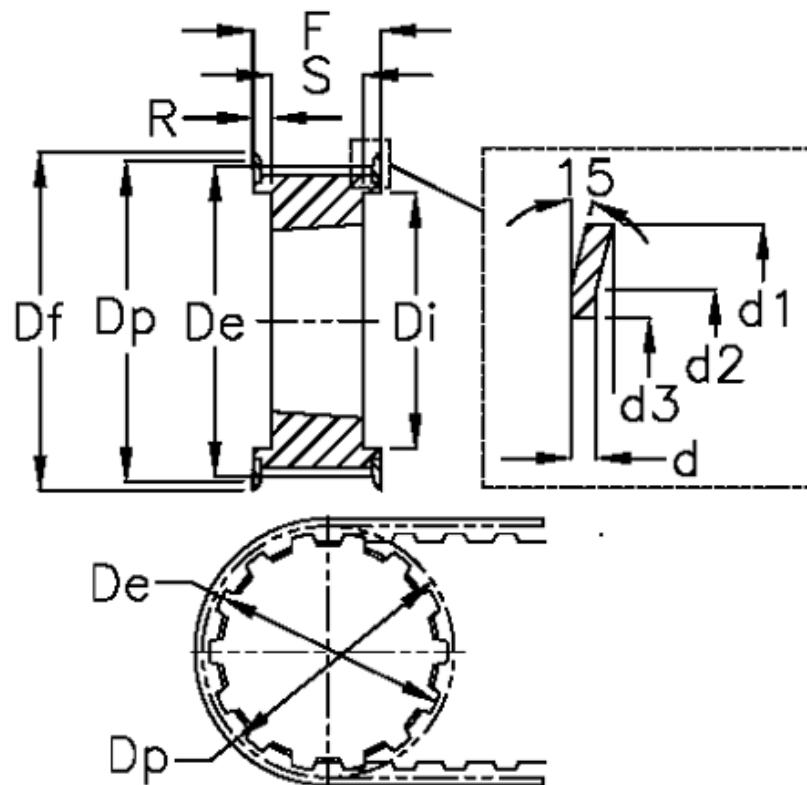
# Data Sheet



Article number: 604132072085

Description: Taper bored timing belt pulley  
HTD 72 8M 85 TL 3020

## Measures



|             |                    |            |
|-------------|--------------------|------------|
| d = 1.5     | F = 95             | Weight = 8 |
| d1 = 192    | Flange type = F57  | Width = 85 |
| d2 = 187    | For bushing = 3020 |            |
| d3 = 173    | Max bore = 75      |            |
| De = 181.97 | r = 22             |            |
| Df = 192    | S = 51             |            |
| Di = 158    | Tooth number = 72  |            |
| Dp = 183.35 | Type = 8M          |            |